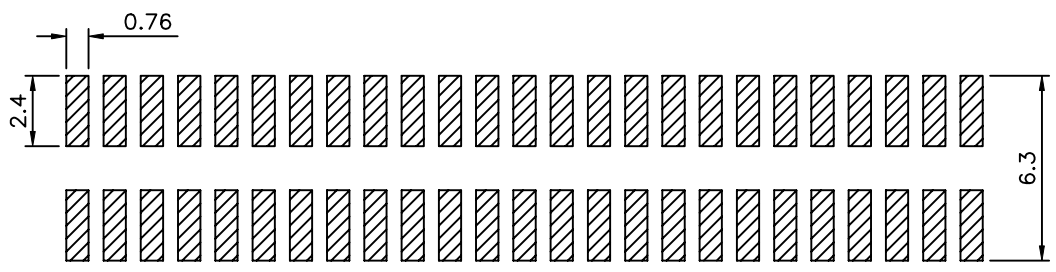
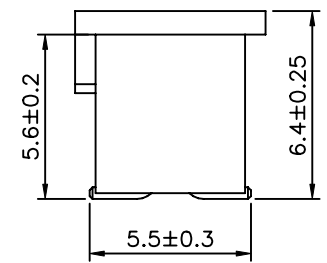
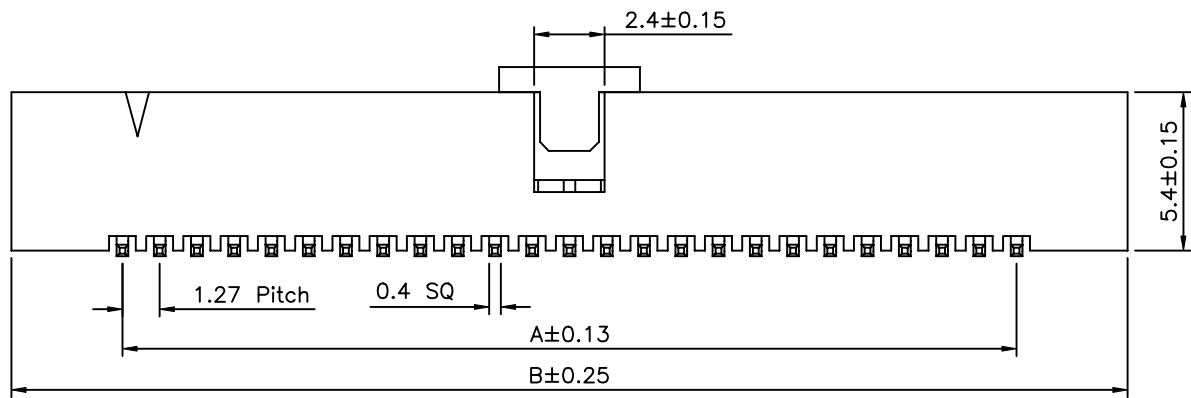
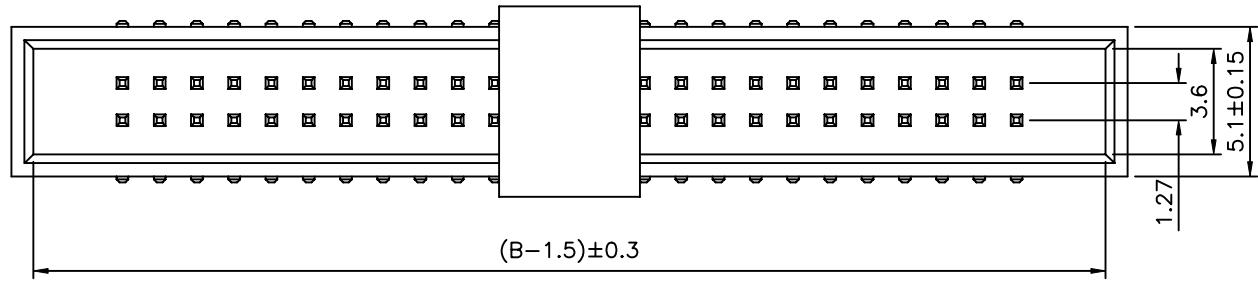


SPECIFICATION
 Insulator:LCP
 Contact:Brass,Gold Plated Over Nickel
 RoHS Compliant



Recommended P.C.B. Layout



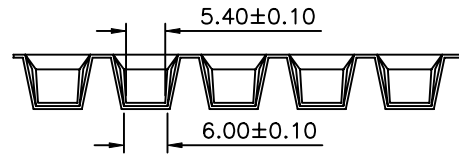
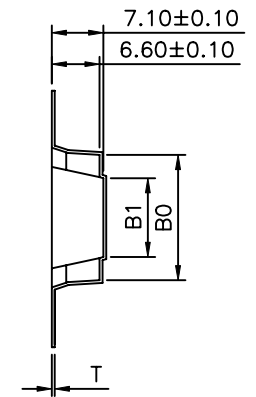
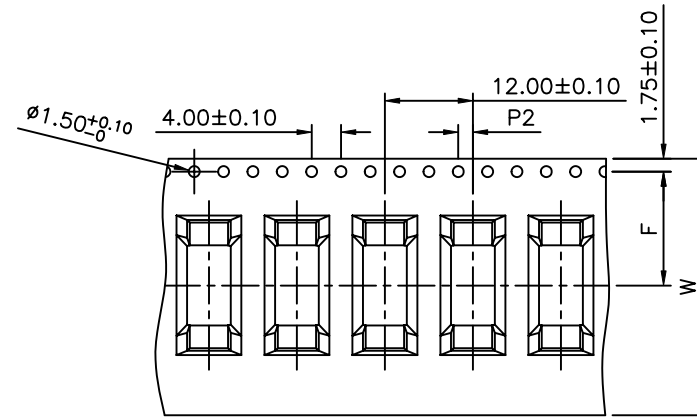
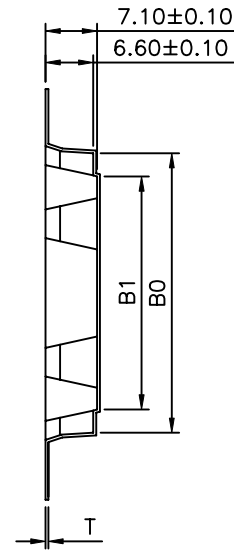
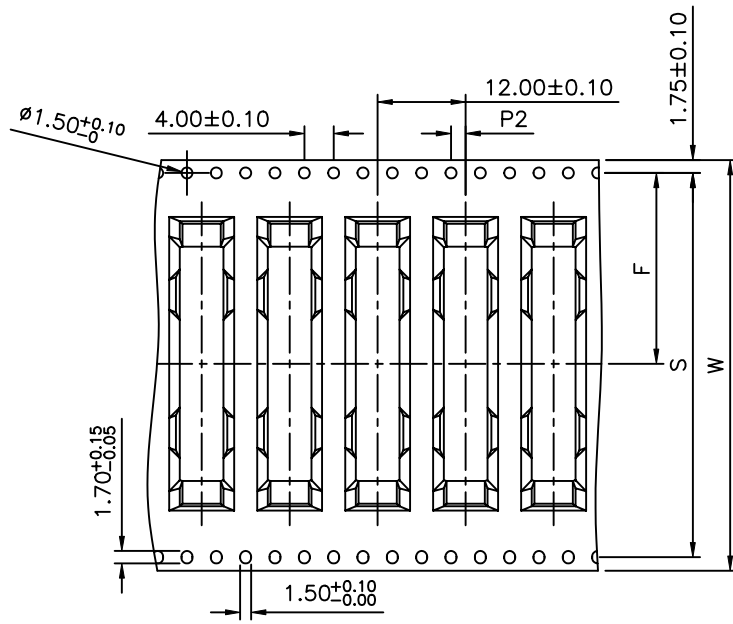
Circuits	A	B
6	2.54	10.11
8	3.81	11.38
10	5.08	12.65
12	6.35	13.92
14	7.62	15.19
16	8.89	16.46
20	11.43	19.00
26	15.24	22.81
30	17.78	25.35
34	20.32	27.89
40	24.13	31.70
44	26.67	34.24
50	30.48	38.05
60	36.83	44.40
64	39.37	46.94
68	41.91	49.48
80	49.53	57.10
100	62.23	68.90

4UCON 元化興業股份有限公司
 4UCON TECHNOLOGY INC.

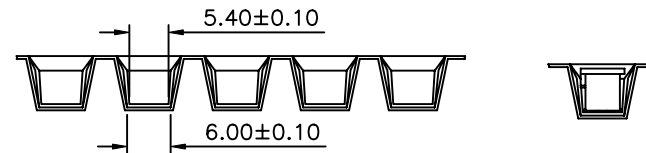
DRAWING No.		APPROVED BY		UNLESS OTHERWISE SPECIFIED TOLERANCES ARE .X ±0.38 .XX ±0.25 ANG.
19735		MEI		
		CHECKED BY HZF		
		DRAWING BY WZL		
SCALE	NONE	REV.	A0	UNIT mm

NO.	REV.	REVISIONS	CHK	DATE
△ A0		NEW RELEASE	HZF	09/04/2009

SPECIFICATION
 10 Sprocket Hole Pitch Cumulative Tolerance:±0.2mm
 Q'ty:700 PCS/Reel
 Color:Black
 RoHS Compliant



Applicable 50Pin



Applicable 10Pin & 12Pin

Pin	W±0.30	S±0.10	F	B0±0.10	B1	T±0.05	P2
10	24.00	-	11.50±0.10	13.10	6.70±0.10	0.35	2.00±0.10
12	24.00	-	11.50±0.10	14.30	7.90±0.10	0.35	2.00±0.10
50	56.00	52.40	26.20±0.15	38.50	32.10±0.15	0.40	2.00±0.15

4UCON 元化興業股份有限公司
 4UCON TECHNOLOGY INC.

DRAWING No. 19735

APPROVED BY MEI
 CHECKED BY HZF
 DRAWING BY WZL

UNLESS OTHERWISE SPECIFIED TOLERANCES ARE
 .X ±0.38
 .XX ±0.25
 ANG. ±1°

SCALE NONE

REV. A0

UNIT mm

NO. REV. A0 NEW RELEASE HZF 09/04/2009
 REVISIONS CHK DATE