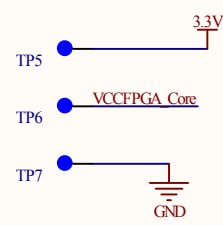
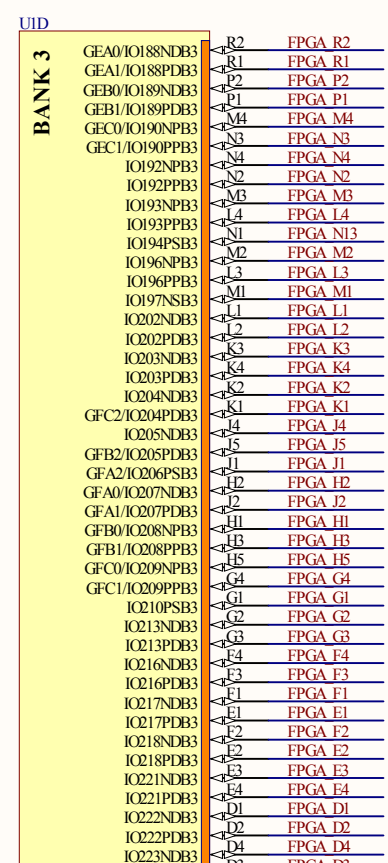
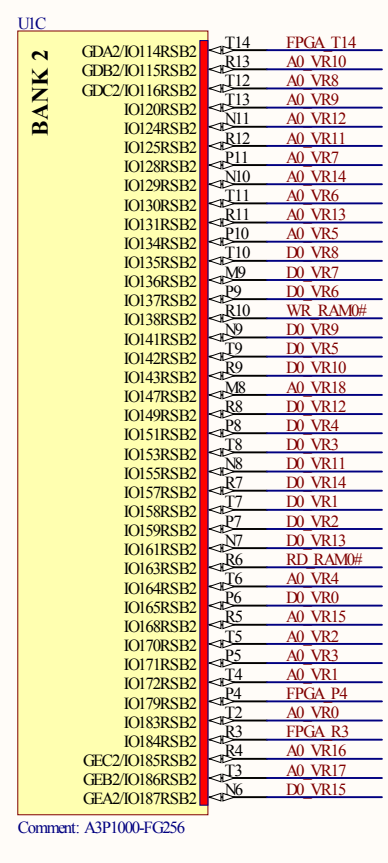
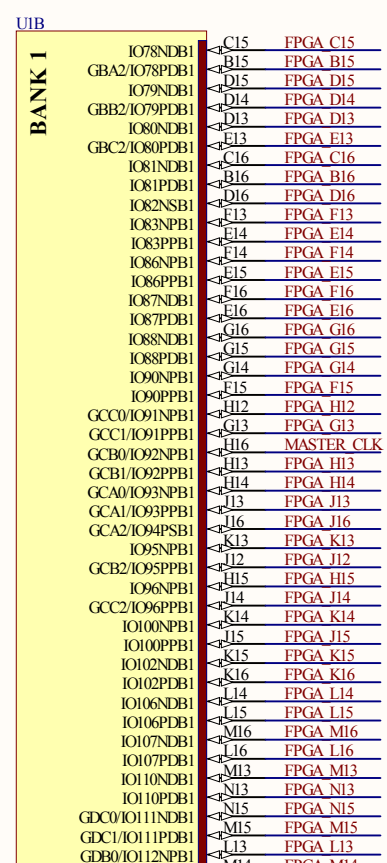
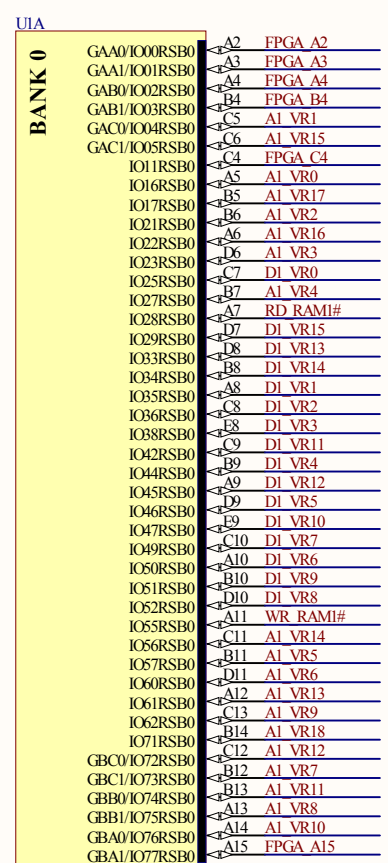


Table "A"

	A3P250	A3P400	A3P600	A3P1000
R65	N.M.	0 Ohm	N.M.	N.M.
R66	N.M.	0 Ohm	N.M.	0 Ohm
R67	N.M.	N.M.	0 Ohm	0 Ohm
R68	N.M.	N.M.	0 Ohm	0 Ohm
R69	N.M.	N.M.	0 Ohm	0 Ohm
R70	N.M.	0 Ohm	N.M.	0 Ohm
R71	N.M.	0 Ohm	N.M.	N.M.
R72	N.M.	N.M.	0 Ohm	0 Ohm

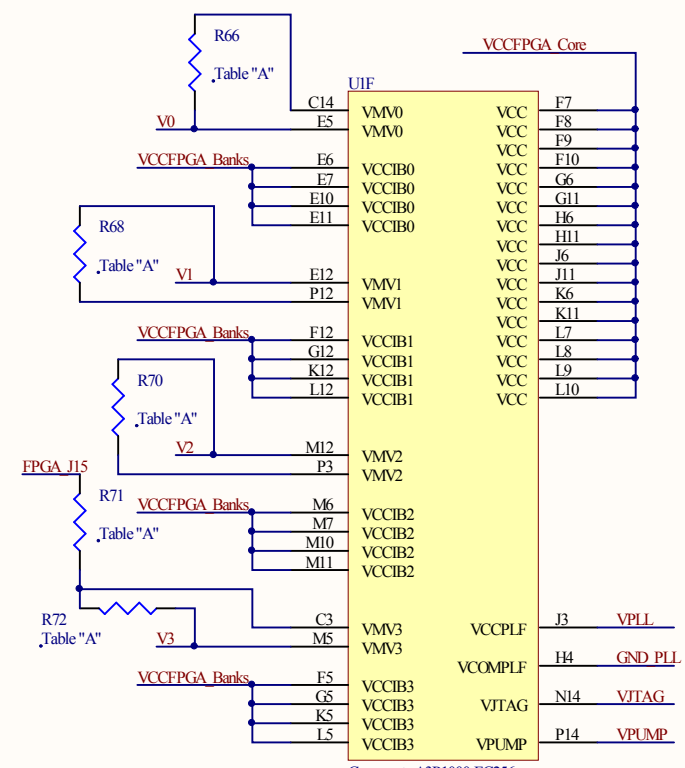


Comment: A3P1000-FG256

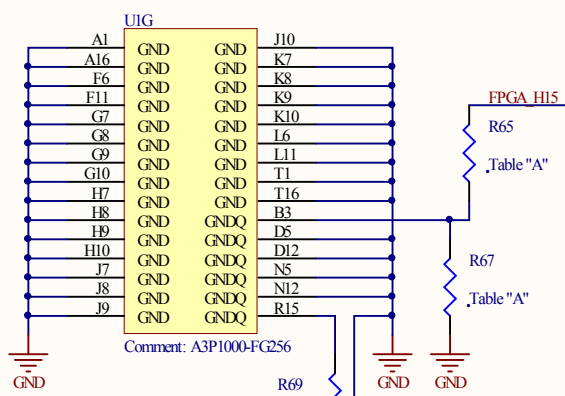
Comment: A3P1000-FG256

Comment: A3P1000-FG256

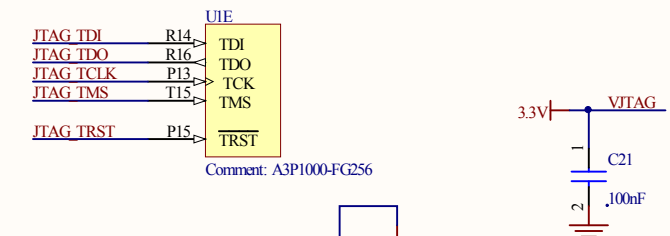
Comment: A3P1000-FG256



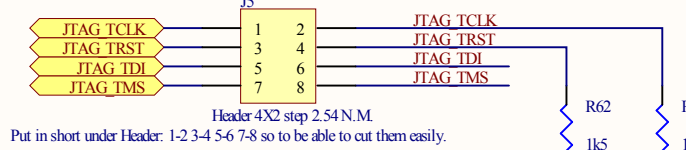
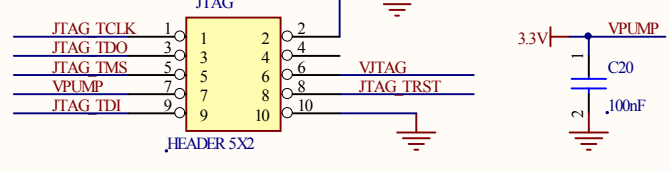
Comment: A3P1000-FG256

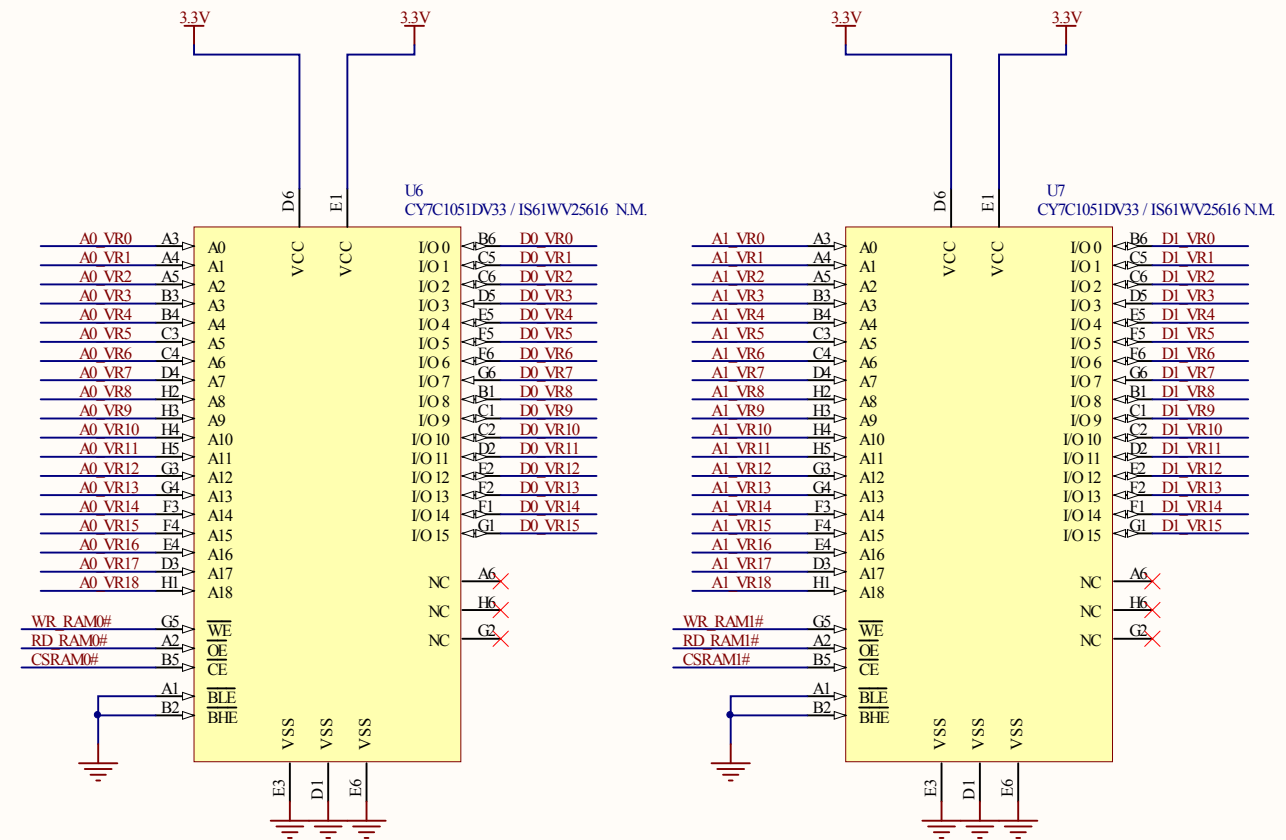
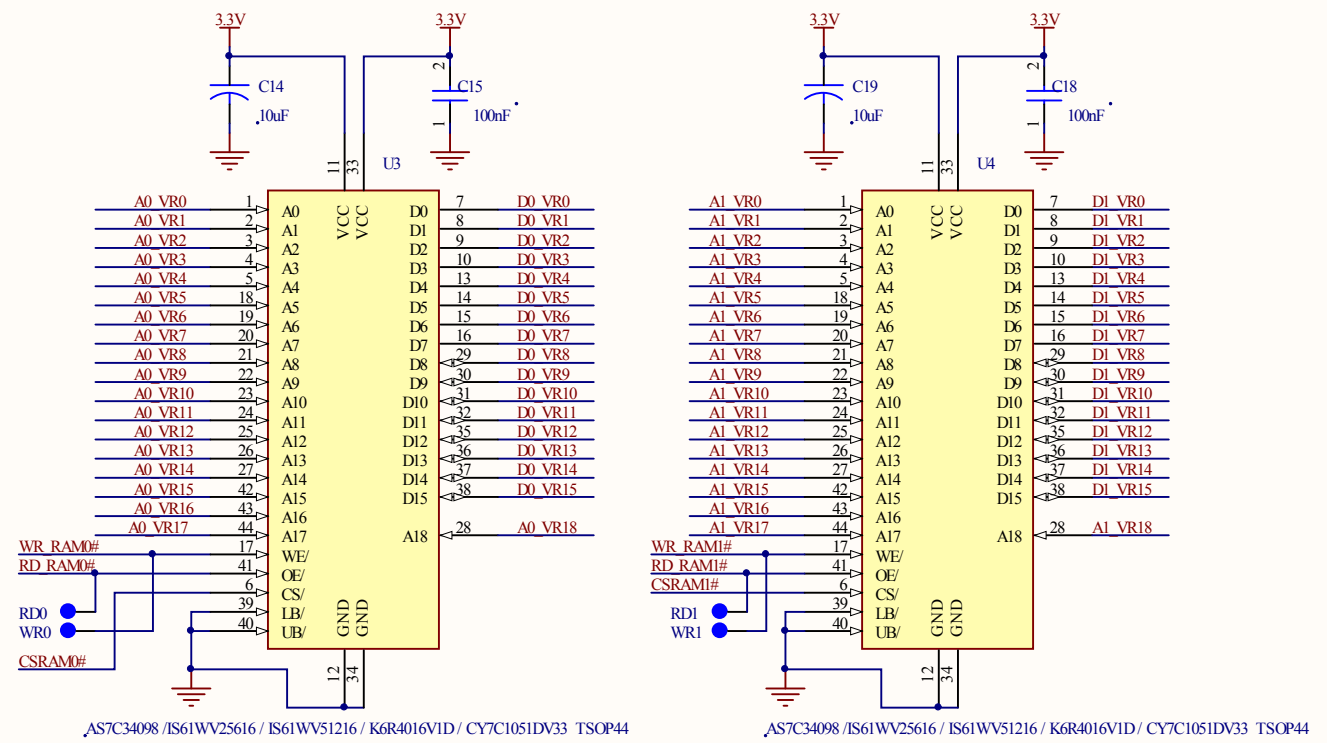


Comment: A3P1000-FG256



Comment: A3P1000-FG256





U6 and U7 are 48 Fine BGA alternatives to U3, U4 TSOP44