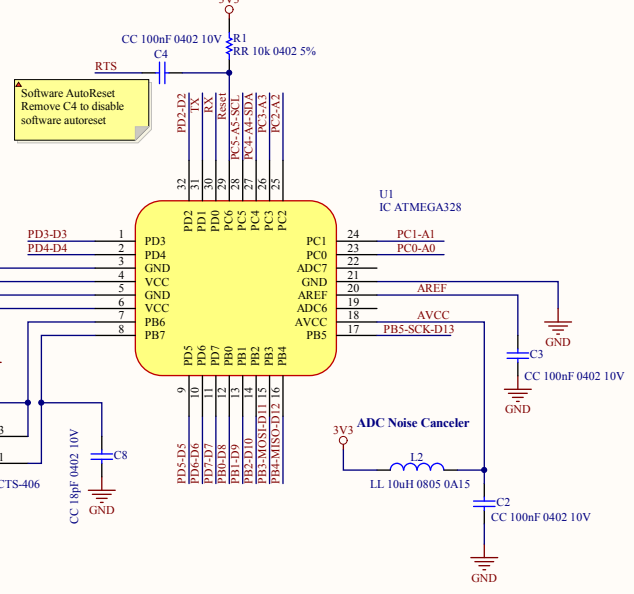
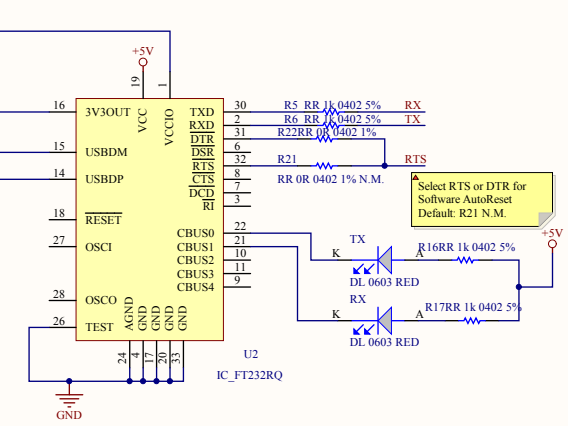


NCP1529 Output Adjustment  
 $V_{out} = V_{fcb} * (1 + R7/R8)$   
 $V_{fcb} = 0.6V$

**Daisy21 StandAlone (USB)**  
 R10 (0R) Mounted, R9 Not Mounted  
 R11 (0R) Mounted, R12 Not Mounted  
 R13 (0R) Mounted  
 R14 (0R) Mounted  
 R15 Not Mounted  
 R19 Mounted, R20 Not Mounted

**Daisy21 to Daisy1 (Flat Ribble Cable)**  
 R10 Not Mounted, R9 (0R) Mounted  
 R11 Not Mounted, R12 (0R) Mounted  
 R13, R14 (0R) Mounted only for Daisy1 i2c communication  
 R15 (0R) Mounted  
 C9, C10, C11 Not Mounted  
 L1 Not Mounted  
 R7, R8 Not Mounted  
 U3 Not Mounted  
 U2, J2, Not Mounted  
 C6 Not Mounted  
 R5, R6 Not Mounted  
 DL1, DL2 Not Mounted  
 R16, R17 Not Mounted  
 R19 Mounted, R20 Not Mounted



AL.5 [ ]  
 AL.2 [ ]  
 AL.3 [ ]  
 AL.1 [ ]  
 AL.4 [ ]  
 AL.1 [ ]  
 AL.2 [ ]  
 AL.3 [ ]  
 AL.4 [ ]

ACME SYSTEMS  
 AL ACME LOGO  
 AL SYSTEM LOGO  
 AL Prod Logo

Production Date Logo  
 AL.1  
 AL.2  
 AL.3  
 AL.4

GN1  
 GN New Fiducial  
 GN2  
 GN New Fiducial

ML. MadeFree Logo  
 MadeFree Electronics